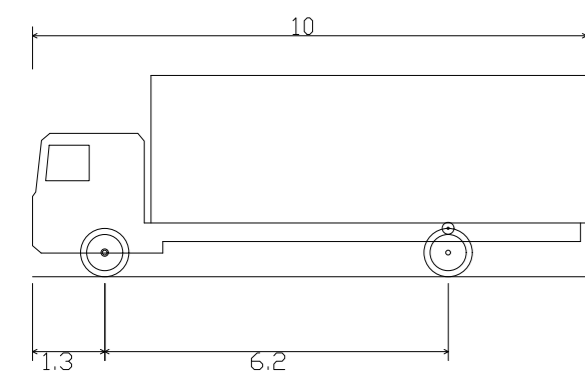
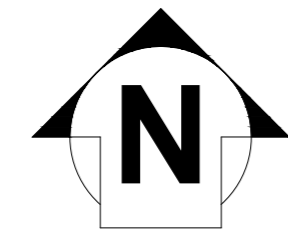


VEHICLE PROFILE

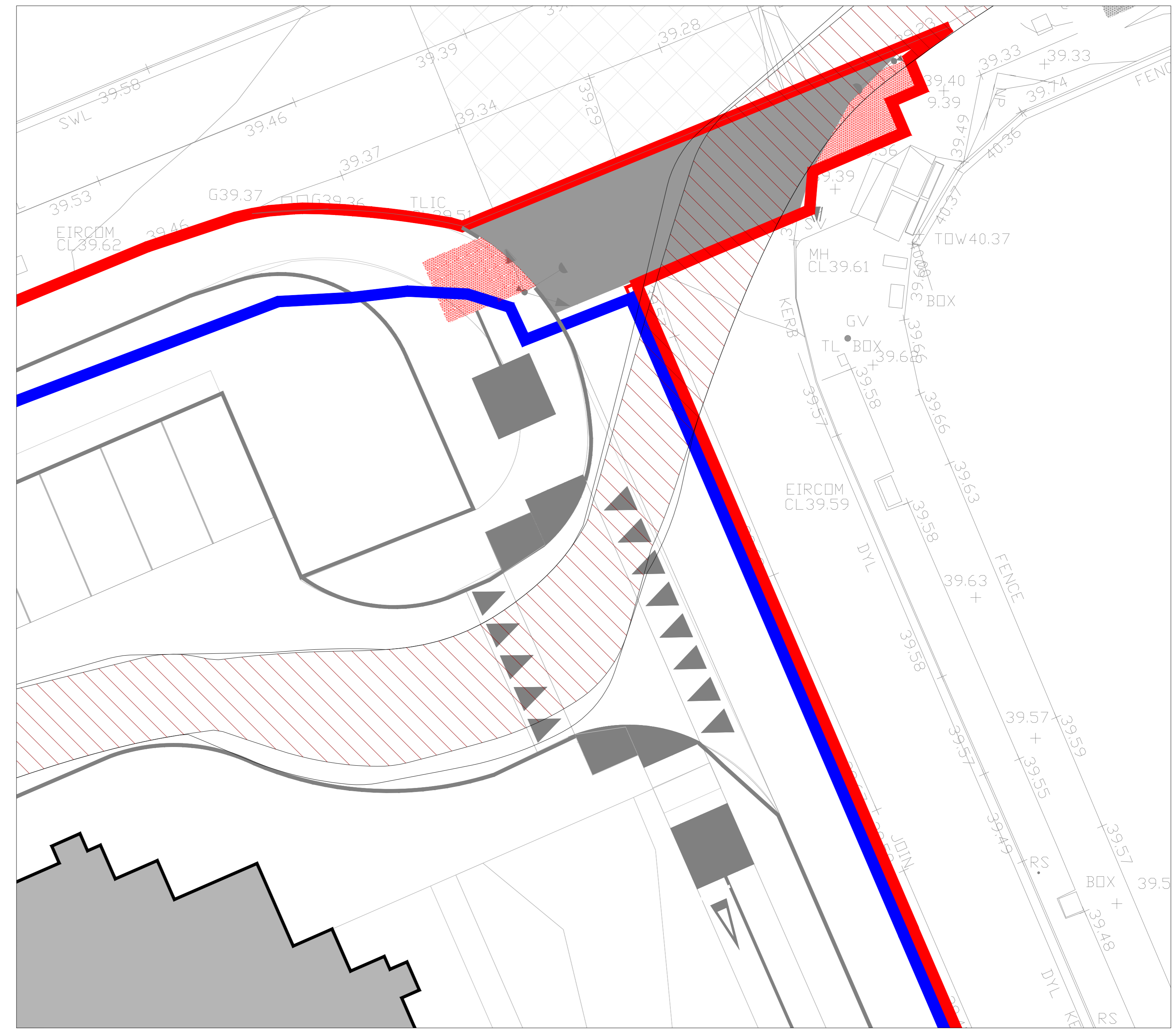
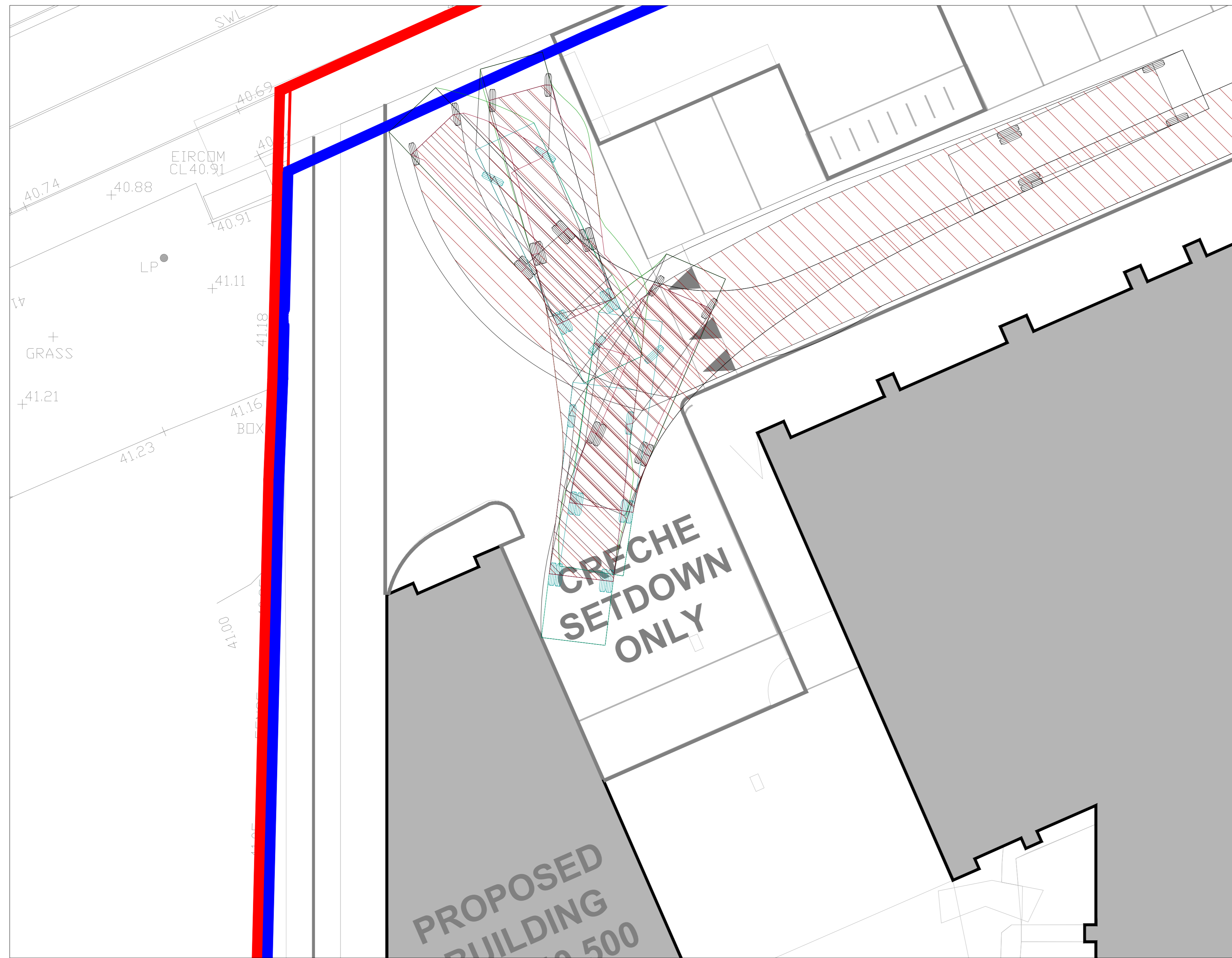


FTA Design Rigid Vehicle (1983)
 Overall Length 10.000m
 Overall Width 2.500m
 Overall Body Height 3.62m
 Min Body Ground Clearance 0.427m
 Track Width 2.500m
 Lock to lock time 4.00s
 Kerb to kerb Turning Radius 12.000m



NOTES

1. THIS DRAWING IS TO BE READ IN CONJUNCTION WITH ALL ENGINEERS & ARCHITECTS DRAWINGS FIGURED DIMENSIONS ONLY (NOT SCALING) TO BE USED, WHERE A CONFLICT OF INFORMATION EXISTS OR IF IN ANY DOUBT - ASK.
2. CONSULTANTS TO BE INFORMED IMMEDIATELY OF ANY DISCREPANCIES BEFORE WORK PROCEEDS.



AUTOROUTE DELIVERYS VEHICLE TRACKING

SCALE @ A0: 1:200
 SCALE @ A2: 1:400

ISSUE	DATE	DESCRIPTION	DRG	DES	CHK	APP
PL4	18.04.19	ISSUED FOR PLANNING				
PL3	18.01.19	ISSUED FOR PLANNING				
PL2	07.01.19	DRAFT ISSUED FOR PLANNING				
PL1	02.11.18	DRAFT ISSUED FOR PLANNING				
P1	23.08.18	ISSUED FOR COMMENT				

PLANNING

BM
 BARRIETT MANDRY
 Consulting Engineers, Civil, Structural, Project Management, E-mail, Intelligence in Web, www.bm.co.uk



CLIENT: **DEVELOPMENT 8**

PROJECT TITLE: **CONCORDE RESIDENTIAL DEVELOPMENT**
 PROJECT NO: **18.232**

MODEL REFERENCE: **CCRD-BMD-00-ZZ-DR-C-1010**
 MODEL REV: **P1** SUBMITTAL: **S1**

DRAWING TITLE: **AUTOROUTE DELIVERYS VEHICLE TRACKING**

DRAWING NO: **CCRD-BMD-00-ZZ-DR-C-1051** ISSUE: **PL4**